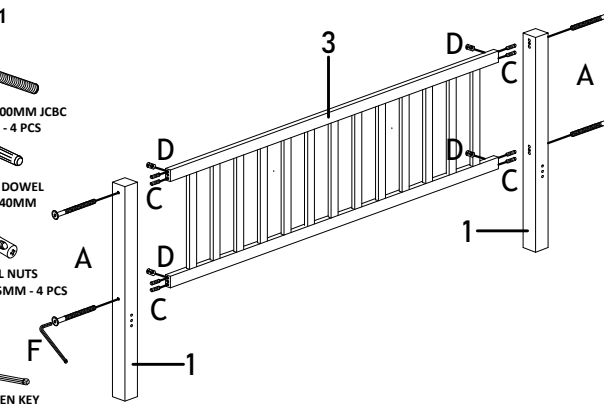


ASSEMBLY INSTRUCTION

MODEL : IFU - AF 5088 QUEEN BED - Wooden Slat - 6 Support Legs

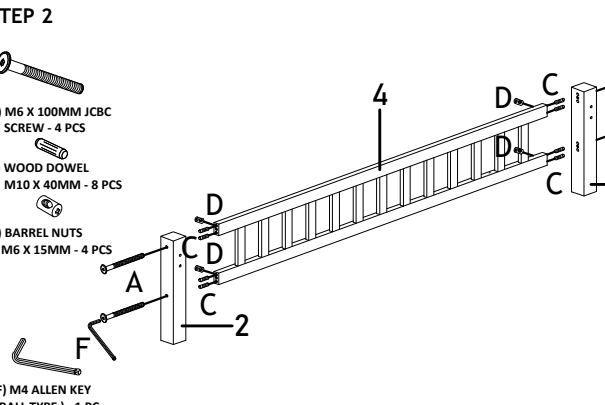
Before you begin, please follow Assembly Instruction carefully. Follow them step by step.

STEP 1



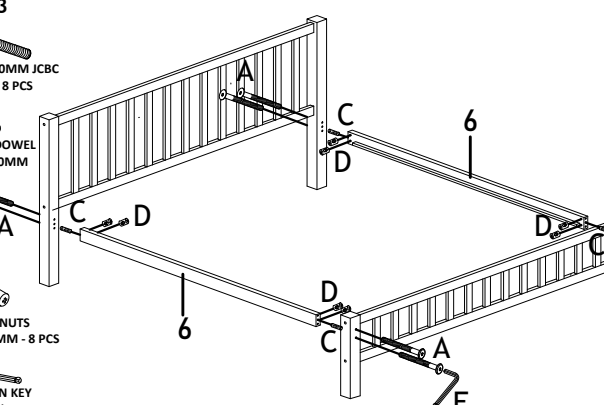
(A) M6 X 100MM JCBC SCREW - 4 PCS
(C) WOOD DOWEL M10 X 40MM - 8 PCS
(D) BARREL NUTS M6 X 15MM - 4 PCS
(F) M4 ALLEN KEY (BALL TYPE) - 1 PC

STEP 2



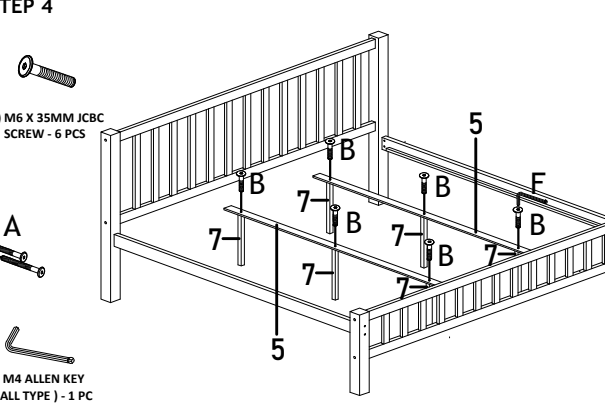
(A) M6 X 100MM JCBC SCREW - 4 PCS
(C) WOOD DOWEL M10 X 40MM - 8 PCS
(D) BARREL NUTS M6 X 15MM - 4 PCS
(F) M4 ALLEN KEY (BALL TYPE) - 1 PC

STEP 3



(A) M6 X 100MM JCBC SCREW - 8 PCS
(C) WOOD DOWEL M10 X 40MM - 4 PCS
(D) BARREL NUTS M6 X 15MM - 8 PCS
(F) M4 ALLEN KEY (BALL TYPE) - 1 PC

STEP 4



(B) M6 X 35MM JCBC SCREW - 6 PCS
(F) M4 ALLEN KEY (BALL TYPE) - 1 PC

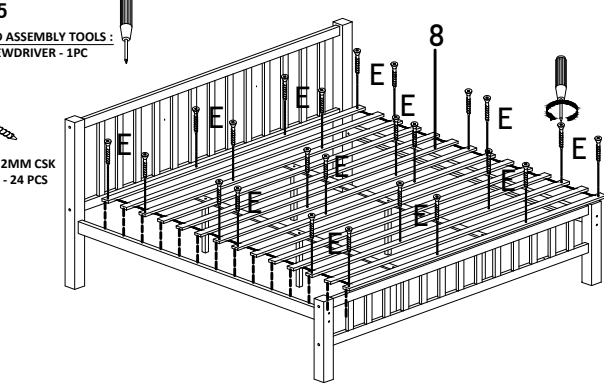
ASSEMBLY INSTRUCTION

MODEL : DKO - AF 5088 QUEEN BED - Wooden Slat - 6 Support Legs

Before you begin, please follow Assembly Instruction carefully. Follow them step by step.

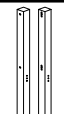


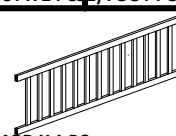


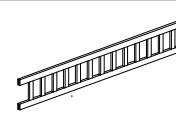
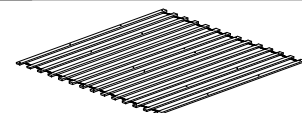
STEP 5

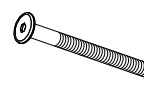

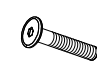


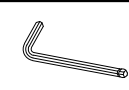
REQUIRED ASSEMBLY TOOLS :
POZI SCREWDRIVER - 1PC

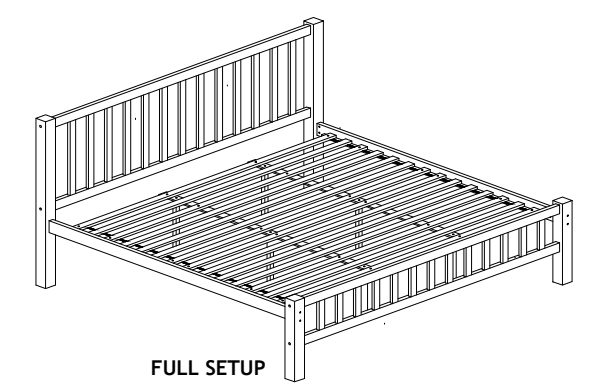


(E) M4 X 32MM CSK SCREW - 24 PCS

REMARK : ATTACH PART 8 USING (E) SCREW AND POZI SCREWDRIVER AS SHOWN.

PART LIST		
 1) HEAD POST X 2 PCS	 2) FOOT POST X 2 PCS	 5) CENTER RAIL X 2 PCS
 3) HEADBOARD X 1 PC	 6) SIDE RAIL X 2 PCS	 7) CENTER LEGS X 6 PCS
 4) FOOTBOARD PANEL X 1 PC	 8) WOODEN SLATS X 14 PCS	

HARDWARE LIST	
 (A) M6 X 100MM JCBC SCREW - 16 PCS	 (D) BARREL NUTS M6 X 15MM - 16 PCS
 (B) M6 X 35MM JCBC SCREW - 6 PCS	 (E) M4 X 32MM CSK SCREW - 24 PCS
 (C) WOOD DOWELS M10 X 40MM - 20 PCS	 (F) M4 ALLEN KEY (BALL TYPE) - 1 PC



FULL SETUP